



BAURAL

Self-propelled seed drills POS4 and POS6

**HIGH-TECH MACHINES FOR AGRONOMIC
RESEARCH AND SEED PRODUCTION**



Seed drills



Precision seedings

Self propelled seed drills designed to meet your needs

Two versions depending on your needs

Simple and robust design

Daily reduced maintenance

For seeding of maize, sunflower seeds, rapeseeds, cereals, beetroots and others

Efficient transmission with 20 gears for a distance between seeds from 1 to 80 cm

Versatile seeding elements with adjustable ground pressure

Choice of equipment to close soil

Transport as normalized size

Authorize to drive on french roads



Powerful engine

KUBOTA "atmospheric": 23.2 kW (30.5 ch DIN)

Or

KUBOTA "compressed turbo": 28.8 kW (38.2 ch DIN) (Optional)

In accordance with applicable standards

Total access for maintenance

Electronic control board and engine commands inside the cabin

Softened bonnet for cooling engine and hydraulic down





Driving position and transmission

Driving position : two versions

POS4

Driver centered at the back of the POS
 Operators on either side of the driver
 Possibility to work alone on « Stop at plot »
 Seeder controller (optional)

POS6

Driver centered in the front of the POS
 Operators at the back of the frame
 Total visibility
 Seeder controller (optional)
 Foldable top protection bar (optional)
 Foldable cabin with laterals hessians (optional)



Transmission

- Standard rear drive wheels: 7.50 R 20
 Or large rear drive wheels: 300 / 70 R 20
- Standard steering front wheels: 7.00 x 12
 Or large steering front wheels: 11.0 / 65 x 12
- 2 speed gears: road / field
 Maximum road speed: 25 km/h
- Hydrostatic pump with POCLAIN engine wheel
- Minimized turning radius: outside diameter of 8.30 m
- Speed indicator (optional)



Mono-seed seed drill

Two versions

« Stop at plot » version

Seeding elements draining system: valve and moto-reductor

Control from driver's seat

The driver must stop after each micro-plot to drain leftovers seeds in the element to then fill it again.



« Non-stop » continuous version

Cycle operating system:
Manual contactor
Index on chain
Cable winder
Telemetric wheel

The driver progress without stopping from plot to plot. A cycle command (manual, cable or GPS) ensure the suction of the leftovers seeds in the element and then allow the filling.



Mono-seed seed drill

Simplicity and reliability

Seeding element driving

Disengaged transmission by chain and cardan joints
« Khun » gearbox with 20 gears



Seeds reaspiration

Powerful and waterproof réaspiration valve with control sensor
Distribution box with included reaspiration chamber
Translucents row by row collectors



Seeds filling

Seeds separators (from 1 to 9 rows) with manual or automatic opening
Feeding trapdoor for all seeds with control sensor
Automatic magazine table





Continuous seed-drill Belted cone distribution

Distribution head with manual or automatic leveling



**Telescopic girder
Seeding with double KUHN discs**



Seeding with plowshares on a rocker arms



**Seeding with double LEMKEN discs
Pneumatic transport of seeds**





Variety of additional equipment

Diffuser on turbine end



Double turbine for pneumatic transport



Air compressor



Pneumatic KUHN micro-granulateur



Mechanical Sepeba micro-granulator



Chain operated start cycle



Front harrow



Croskilette roller and Delimbe anti-slug



Fertilisor and telescopic girder from 45 to 80 cm





Features

Engine and transmission :

Kubota diesel engine with 4 cylinders 23.2 kW (30.5 ch DIN)

Kubota diesel engine with 4 cylinders 28.8 kW (38.2 ch DIN) (optional)

Liquid cool down engine

Tank of 30 liters

Hydrostatic transmission :

1 pump with variable volumetric size

2 POCLAIN wheel engine with 2 volumetric size (2 speeds with electric command)

Speed from 0 to 25 km/h

Hydraulic tank with cooler

Indicateur de vitesse d'avancement (optional)

Speed regulator (optional)

Electricity :

Circuit (alternator, starter, ...) : 12 Volts

Rotating lights and front lights

Traffic lights (optional)

Tyres :

AR : 7.50 x 20

AR : 300 / 70 R 20 (optional)

AV : 7.00 x 12

AV : 11.0 / 65 x 20 (optional)

Seeding equipment :

Minimal distance between rows : 25 cm (18 cm with PN EE element)

Adjustable seed spacing from 1 to 80 cm

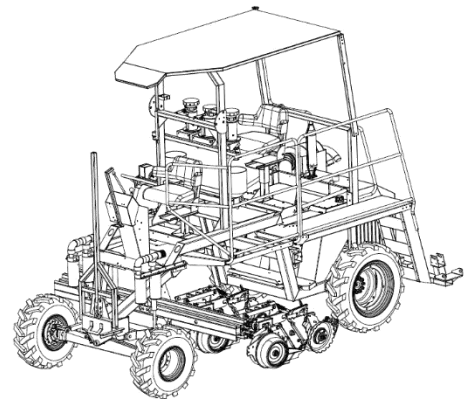
Number of seeding elements to define

Average weight of a seeding unit : from 40 to 100 kg (depending on chosen equipment)

Hydraulic functioning of the turbine (with electric command)

Gearbox : 20 gears

Seeding controller (optional)



Additional equipment :

Front lifting

Back lifting

Double turbine

Diffuser on turbine end

Micro-insecticides

Fertilisator

Cable winder with stops

Chain with index

Disc liner

Anti-slug

Telescopic girder

Foldable guiding bar

Cabin with laterals hessians

Compressor

Dimensions and weight :

Total length without equipment : 4,20 m

Total width with equipment : 2,50 m

Maxi total height POS 6 (with cabin) : 3,00 m

Mini height POS 4 (without protection bar) : 1,55m

Height from ground : 0,35 m

Wheelbase : 2,75 m

Standard weight (without complementary front or rear equipment / 4 elements, for a total of 2 200 kg

* Front axle : 750 kg

* Rear axle : 1 450 kg

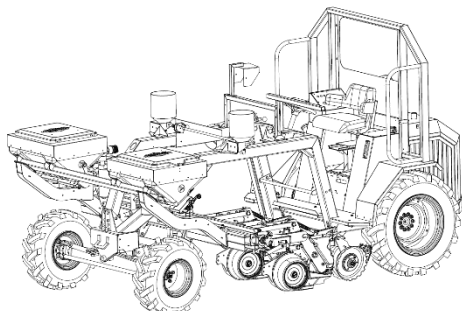
Distance between wheels : 1,50 m - 1,60 m

Turning radius : 8,30 m

Others :

Operating manual

Spare parts catalog





Contact us

BAURAL

26 Rue du haut buisson
41330 Champigny en Beauce
France

02 54 33 11 01

Baural.contact@baural.fr

www.baural.fr

